



CENTRAL INSTITUTE OF MINING & FUEL RESEARCH
(CSIR, Ministry of Science & Technology, Govt. of India)
H.Q.: Barwa Road Campus, Dhanbad – 826 015 (Jharkhand), India

NIT No.CIMFR/PUR/14(10)2011

Date:26.05.2011

NOTICE INVITING TENDER

Director, CIMFR invites sealed tenders, for supply, installation and commissioning of (i) **Non-Thermal plasma fuel reformer with Accessories (Two bid systems) and for . (ii) Plasma Display Panel (Two Bid Systems) (iii)Annual Rate Contract .**

Item No.	Particulars of Item	Qty.
1.	File No: 13(2)/CIMFR-DC/139/08-09/PUR Design, development, supply, fabrication, installation and commissioning of the <u>Non-Thermal plasma fuel reformer with Accessories</u>	One Complete Unit
2.	CIMFR/PUR/11(26)2010 (a) PLASMA DISPLAY PANEL (b) VISUALISER (c) TABLET INTERACTIVE LCD MONITOR	Two Nos. Two Nos. Two Nos
3	File No:- CIMFR/PUR/01(06)2011/ARC/11-12/PUR Annual Rate Contract for Chemicals, Glass-wares, Plastic wares, Filter paper,liquid handling System ,Silica Ware, Lab Kit/Aids, Crucibles & other Consumables.	ARC
Last Date of Submission : 27.06.2011 Time: Up to 5.00 P.M. Date of Opening (For item No.1 & 2- (Tech. Bid only.):28 .06.2011 Time: 3.00 PM Details of the Tender Document is available at www.cimfr.nic.in		

☎ : 0326- 2296030

s/d
S.P.O.
For Director



CENTRAL INSTITUTE OF MINING & FUEL RESEARCH
(CSIR, Ministry of Science & Technology, Govt. of India)
H.Q.: Barwa Road Campus, Dhanbad – 826 015 (Jharkhand), India

NIT No.CIMFR/PUR/14(10)2011

Date: 26.05.2011

NOTICE INVITING TENDER

Director, CIMFR invites sealed tenders for supply, installation and commissioning of
(i) Non-Thermal plasma fuel reformer with Accessories in Two bid systems. (ii) Plasma Display Panel (Two Bid Systems) and for (iii) Annual Rate Contract.

Item No.	File No.	Particulars of Item	Qty.	T.D. Fee in DD*
1.	File No: 13(2)/CIMFR -DC/139/08-09/PUR	Design, development, supply fabrication, installation and commissioning of the <u>Non-Thermal plasma fuel reformer with Accessories</u>	One Complete Unit	Rs. 300.00
.2.	CIMFR/PUR/11(26)2010	(a) PLASMA DISPLAY PANEL (b) VISUALISER (c) TABLET INTERACTIVE LCD MONITOR	Two Nos. Two Nos. Two Nos	Rs.300.00
3.	File No:- CIMFR/PUR/01(06)2011/AR C/11-12/PUR	Annual Rate Contract for Chemicals, Glass-wares, Plastic wares, Filter paper/liquid handling System ,Silica Ware, Lab Kit/Aids, Crucibles & other Consumables.	ARC	Rs.300.00

* No tender fees are required in case it is downloaded from the site www.cimfr.nic.in up to tender sale period.

Note: The Tender Document can be obtained from the Office of the Stores & Purchase Officer, CIMFR, Barwa Road, Dhanbad on written request on payment of the non- refundable and non – transferable tender document fees as stated above in the form of cross Demand Draft issued by a scheduled bank drawn in favour of Director, CIMFR, payable at State Bank of India, Hirapur Branch, Dhanbad from 27.05.2011 to -27.06.2011 upto 5 PM. The tender complete in all respect should reach to this office on or before 27.06.2011 upto 5.00 PM and will be opened on 28.06.2011 at 3.00 PM at CIMFR H.Q. CIMFR will not be responsible for non- receipt of the Tender Documents due to postal delay/loss in transit.

Tender Documents with detail terms & conditions can be downloaded from our website: www.cimfr.nic.in .

Director, CIMFR reserve the right to accept or reject in part or in full to any or all the tender without assigning any reason thereof.

☎: 0326- 2296030

S/d
S.P.O
For Director



CENTRAL INSTITUTE OF MINING & FUEL RESEARCH
(CSIR, Ministry of Science & Technology, Govt. of India)
H.Q.: Barwa Road Campus, Dhanbad – 826 015 (Jharkhand), India

NIT No.CIMFR/PUR/14(10)2011

Date: 26.05.2011

NOTICE INVITING TENDER

Detailed specifications:-

Sl. No: (1) **File No: 13(2)/ CIMFR -DC/139/08-09/PUR**

Technical Specifications
For
Non-Thermal plasma fuel reformer with Accessories - 01 set

Technical specifications/Requirements:

Non-Thermal plasma fuel reformer is an experimental unit to study the reformation efficiency of various gaseous and liquid hydrocarbon fuels, alcohols and bio-diesel. The unit should be skid mounted with suitable fixtures for holding and fixing each component. Electrical and electronic control equipment/system should be housed well in the panel. Aesthetic aspects should be taken care while fabricating the whole unit. SCADA based automated system should be quoted as optional for future up gradation.

The experimental unit is consists mainly 03-main units which are detailed below.

Unit-A: Non-Thermal plasma fuel reformer

[1] Ring Electrode Type Reformer: (Please see Drawing No.: GAP 0023/01, 03)

This will made up of 3” dia SS-316 pipe section. The middle portion is made up of ceramic insulator in cylindrical shape cut centrally in two halve. The Cylinder fits into it by cutting groove. It has two holes for holding and fixing two Inconel (600/718) ring (dia: 3mm) shaped electrodes. The upper electrode OD is 46 mm and outer ring OD will be 50 mm. The electrical output point of the electrodes should be provided for input of high voltage power supply. (The High Voltage Generator is not in the scope of supply.)

Liquid fuel will be fed through interchangeable nozzles. The nozzle is screwed in the end plate. [Types of nozzles: Hollow cone nozzle, Air atomizing nozzle and Hydraulic fine mist nozzle of suitable rating for

feeding liquid fuels]. This end plate also has opening for air feeding. One air/gas feed opening is also there through the side wall. The two SS pipe segments and ceramic segment fastened together by set of studs. The lower portion of the pipe segment has flange for connecting the studs and nut/bolt fastening of Unit – B. Liquid fuels will be fed to the nozzle by a suitable pressure metering pump via a fuel pre heater (Temperature up to 350°C). The capacity of the Liquid Fuel Tank will be 02 L. Liquid tank should be equipped with a liquid level indicator. Fuel filters may be incorporated at suitable places. This unit must have Air and Methane feed arrangements via two MFCs. Control valve arrangements may be there for feeding the air/gas as per the need of the experiment. The experiments will be conducted at atmospheric pressure.

[2] Spark Plug Type Reformer: (Please see Drawing No: GAP 0023/06)

This will be made up of solid circular SS segment (dia: 3”, Length: 150 mm). One side of this will be equipped with a circular groove and the other side with V-type groove. One groundless heavy duty spark plug is screwed to one end plate. This end plate is held at the end by flat end cap screws. This end plate should have opening for air feeding. Another air/gas feed opening should be provided at the side wall. Unit –B is fixed with the main unit by Ceramic/Insulating material C-shaped brackets. As the Unit – A is electrically conducting; therefore it should be separated by a ceramic disc.

Unit-B: Reaction Extension Cylinder (Please refer Drawing No: GAP 0023/01 & 03)

This is a SS-316 pipe segment (dia: 3” and Length: 18”). One end of this pipe is having flange for connecting it with Unit – A by standard nuts, bolts & washers. Unit – B should be equipped with suitable heating arrangement so that temperature can go up to 400°C. It should also be provided with two SS wire netted round shape movable catalyst cartridges. The diameter of this cartridge is same as ID of 3” pipe segment and 10 mm thick. The end part of this extension cylinder should be equipped with suitable fittings for gas sample collection and for on-line analysis of gaseous products by Micro – GC and IR based gas analyzers (Note: Micro – GC and IR based gas analyzers are not in the scope of supply). Before the catalyst cartridge one steam feed port will be there for feeding steam just at the place of catalyst cartridge. K-type thermocouples may be fitted at various points to know the temperature. Temperature display arrangement should be provided at the panel. The steam feed system consists of a vaporizer, digitally controlled feed pump and a water tank of 02-lit capacity. Suitable Exhaust Gas Hood made of aluminum sheet should be provided for product gas exhaust.

Unit-C: Elliptical Reaction Chamber (Please refer Drawing No: GAP 0023/02)

This is an elliptical shaped reaction extension chamber. This has major axis 450 mm and minor axis 300 mm. Provisions should be made to join this unit with Unit – A by flange/nut-bolt arrangement at one side tangentially. The Unit – B will be joined by flange/nut-bolt at the top of the Unit – C. A drain plug should be provided at the bottom of this Unit to drain out of the un-reacted liquid fuel. K-type thermocouples may be fitted at various points to know the temperature. Temperature display arrangement at the panel should be provided.

Special Instructions:

- 1) All heating controllers are to be provided with MCB and suitably rated fuses for safety and over current protection.
- 2) Suitable PID controllers should be provided for the Instrument wherever required.
- 3) Alarm system for over temperature protection should be provided.
- 4) All control loops (temperature, pressure, flow etc) are to be monitored for illegal operation.
- 5) Safety arrangement inputs like power failure, high temperature limits, sensor burn-out and shorting, high flow limits etc should be provided.
- 6) Proper safety management should be provided wherever required.

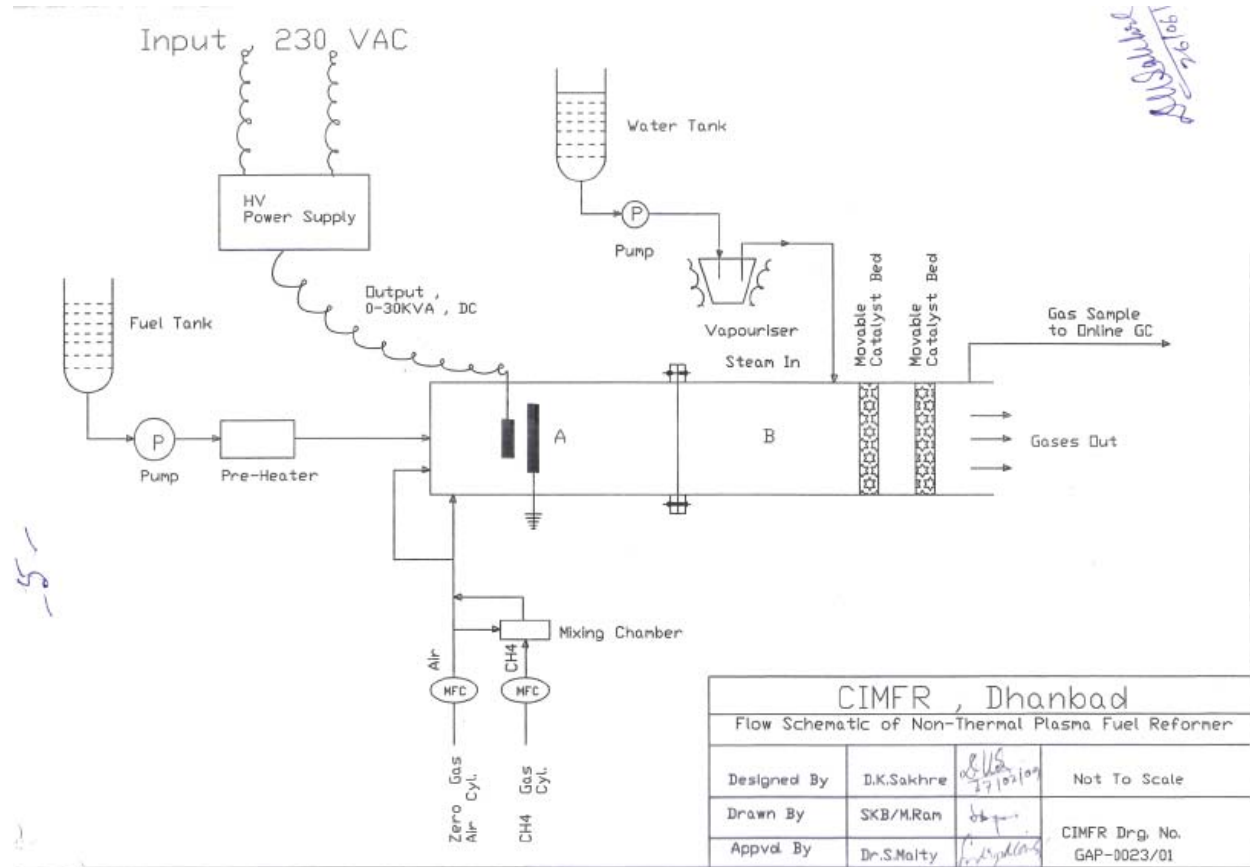
Warranty

Successful Bidder should provide Two years on-site Comprehensive warranty for the entire reactor and control system from the date of handing over the reactor.

Name and Make of Major Items

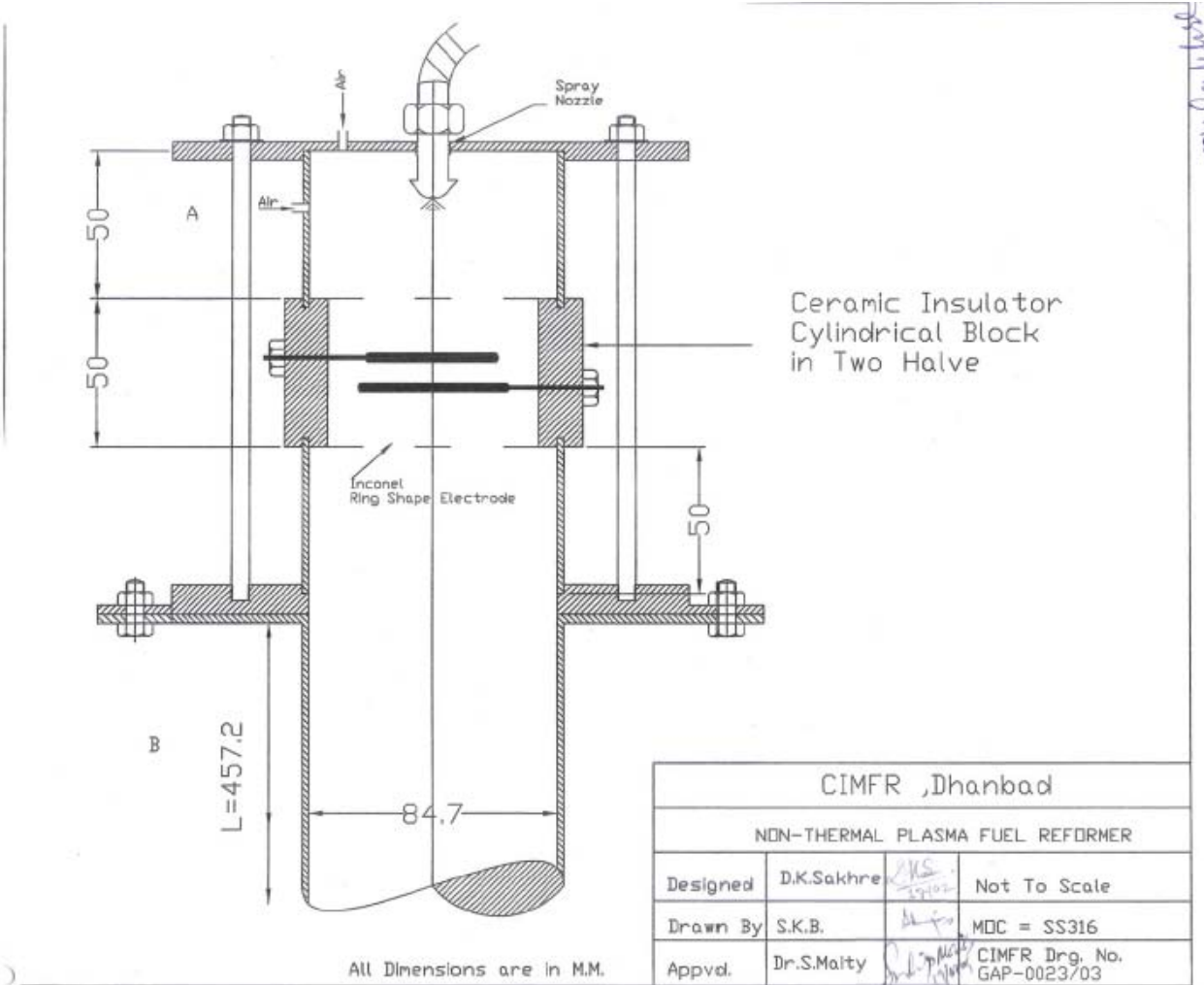
Sl No.	Item	Specification & Make
1	Mass Flow Controllers	Gas: Air & Methane Capacity: 0 – 1500 mL/min Design Condition: 5.0 Bar Make: Bronkhorst/Brooks
2	Pressure Gauges	Capacity: Suitably rated Make: Wika/Dwyer/Waree
3	Liquid Dosing Pumps	Bronkhorst/Electrolab/International Equivalent Capacity: 0 – 150 mL/min
4	PID Controllers	Honeywell/WEST/International Equivalent
5	Thermocouples	International repute
6	Line Filters	Swagelok/Hamlet/Parker
7	Nozzles	International repute
8	Valves & Fittings	Standard

19/10/20
SKB/M.Ram



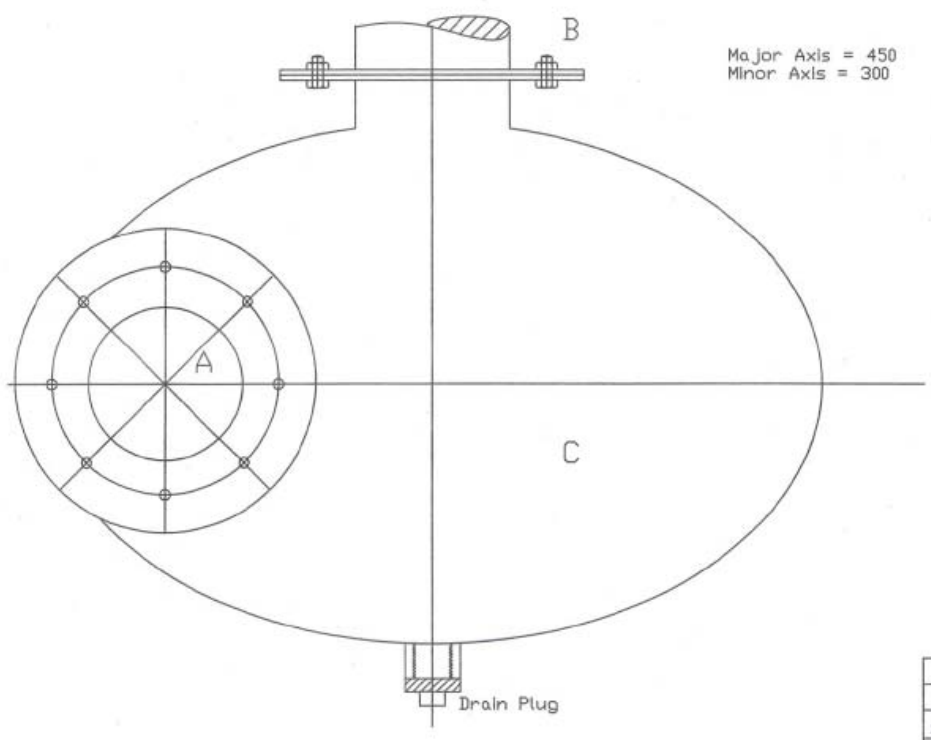
CIMFR, Dhanbad			
Flow Schematic of Non-Thermal Plasma Fuel Reformer			
Designed By	D.K.Sakhre	17/10/20	Not To Scale
Drawn By	SKB/M.Ram		
Appval By	Dr.S.Maity		CIMFR Drg. No. GAP-0023/01

Drawing No:- GAP 0023/01



Drawing No:- GAP 0023/03

19/2
7/05/12

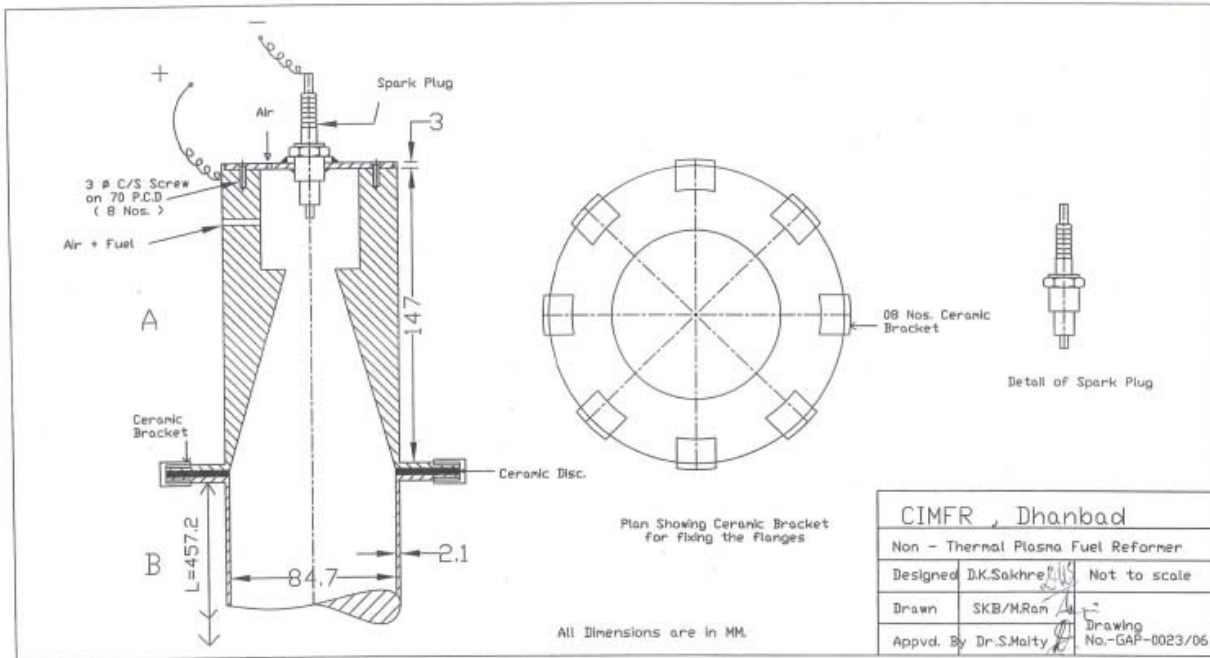


Major Axis = 450
Minor Axis = 300

All Dimensions are in M.M.

CIMFR ,Dhanbad			
ELLIPTICAL REACTION CHAMBER			
Designed	D.K.Sakhe	<i>[Signature]</i>	Not To Scale
Drawn By	S.K.B	<i>[Signature]</i>	
Appvd.	Dr.S.Maiti	<i>[Signature]</i>	CIMFR Drg. No. GAP-0023/02

Drawing No:- GAP 0023/02



Drawing No:- GAP 0023/06

**TECHNICAL SPECIFICATION
FOR**

ITEMS:-

(a) PLASMA DISPLAY PANEL (Two Nos.)

- Diagonal Size :- 50"
- Resolution:- Minimum 1920 x 1080 or more
- Contrast Ratio:- Minimum 3000000:1 or more
- Speaker System:- 2 Speakers.
- Normal wide screen modes should be present.
- All standard audio & video ports should be present.
- Aspect Ratio should be 16:1.
- Both options for wall mounting brackets and table top stand should be provided.

(b) VISUALISER (Two Nos)

- Min. CMOs image sensor 0.5" or better
- Minimum 5 mega pixel or more
- White Balance should be Auto & Manual both
- Exposure should be Auto, manual
- Image Capture 80 frames or above
- Built-in Memory 80 Images or above
- Image rotation 270 degree minimum
- Image Freeze and Image Mirror should be present
- USB & RS-232 should be present
- SD Card Slot should be present
- PIP & Split Screen should be present
- Digital Zoom 8X or above & total zoom 160 x present
- Resolution SGA or better
- Software for the above equipment

(c) TABLET INTERACTIVE LCD MONITOR (Two Nos)

- Electromagnetic Handwriting Tablet
- Active Area 304 X 228 or more
- Min. Resolution 1024 x 768 Pixels
- Accuracy +/-0.5mm should be present
- Pressure sensitivity 512 levels minimum
- Interface through USB Port
- Data rate 125 reports per second or above
- Contrast ratio Min 400:1 or above
- Diagonal Size 17" or above
- Operating System should support Win 95/98 and all latest
- VGA Amplifier Cum Switcher
- Extra Pen



Central Institute of Mining & Fuel Research

(Council of Scientific & Industrial Research)

Barwa Road Campus, Dhanbad –826015 (Jharkhand), INDIA

COMMERCIAL TERMS AND CONDITIONS

Important Notice

The Commercial Terms & Conditions is given in five different sections, which may please read carefully before submitting the tender. Any deviation and non-compliance of the terms & conditions must be written clearly. An incomplete offer and late bids are liable to be ignored and rejected. To aid the Bidders in submitting complete offers, a Check List is included in the bid document. The bidders must fill this and submit along with their offer in their own interest to avoid rejection of their tender.

Request For Proposal (RFP)

NIT No.

CIMFR/PUR/14(10)2011

1.Last Date for Submission of Bid :

27.06.2011 upto 5.00 P.M

2.Date of Opening of Tender(only Technical Bid in case of Double Bid System)

28.06.2011 at 3.00 P.M

3.Date of Opening of Financial Bid wherever applicable :

TENDERERS WHOSE TENDERS ARE
FOUND TECHNICALLY SUITABLE WILL BE
INTIMATED SEPARATELY

SECTION - I

Non-Thermal plasma fuel reformer with Accessories & Plasma Display Panel **INVITATION FOR THE BIDS**

Sealed tenders are invited under **Two Bids System** 1. Technical-Commercial Bid and 2. Financial Bid for **Non-Thermal plasma fuel reformer with Accessories & Plasma Display Panel** required to be supplied, installed, commissioned and demonstrated at CIMFR, Dhanbad. **Technical- Commercial Bid and Financial Bid should be identical in all respects except that the Technical-Commercial Bid should have blank space at the place where prices have been indicated in the Financial Bid.**

Tenderers are requested to submit their tenders in one envelop containing three separate envelopes 1. Technical-Commercial Bid Envelope and 2. Financial Bid Envelope duly sealed and super scribed with "Tender No. CIMFR/PUR/14(10)2011 for Item S. No.1- **Non-Thermal plasma fuel reformer with Accessories & Item S. No 2 File No:- CIMFR/PUR-11(26)2010 Plasma Display Panel.**

due date **27.06..2011** (5.00PM) strictly as per our Technical specifications and Terms and Conditions.

Last Date of Submission : 27.06.2011 Time: Up to 5.00 P.M.
Date of Opening (Technical) : 28.06.2011 Time: 3.00 PM

Technical-Commercial Bid should consist of:

1. Technical specifications being offered by the firm of Tender Documents along with Brochures and literature giving all features.
2. Certificate of Registration of firm
- 3. Authorization Letter from the manufacturer to quote and submit tender.**
4. Certificate of valid Authorized Distributorship/Dealership/Retailer ship from the manufacturer.
5. Latest Income Tax Clearance Certificate
6. Certificate of Central Sales Tax/Local Sales Tax Registration No. Authorized Service Provider Certificate from the Manufacturer only.
- 7. Photocopy of Warranty Service Provider Agreement between the manufacturer and the Service Provider.**
8. Clients list along with addresses, un priced previous purchase orders of similar/ same item /plant with satisfactory completion report from the user, **Make/Model/ Leaflet/ Catalogue of all components, List of all components & Services**, authorization of manufacturer, Telephone Nos., Fax Nos., Contact persons. Product supplied, Qty. supplied, Performance Certificates/Bench marking of the equipments by recognized National/Institutional/ Govt. organization like Department of Electronics.
9. Last Audited Balance Sheet of the firm.
10. Maintenance Infrastructure Facilities including addresses, Telephone No. of Service Centre.
11. Photocopy duly attested of Certificate of compulsory enlistment of Indian Agents of Foreign Principals with DGS&D (**wherever required**) quoting on their behalf. Date of enlistment must be before the date of opening of tenders.
12. Details of Equipments supplied of identical or similar nature to other CSIR Labs/Institute for the preceding three years along with the prices eventually or finally paid.
13. Prerequisite site preparation raw materials & utilities list.

Commercial Terms :

- a. Percentage rate of CST/LST, Octroi, freight and forwarding charges, handling charges, loading/unloading charges, any other tax/charge as applicable should be clearly mentioned. The offers indicating "Taxes as applicable" or "Taxes inclusive" may be rejected.
- b. Validity of Quotation
- c. Delivery Period
- d. Installation schedule
- e. Payment Terms
- f. Warranty

- g. Training
- h. Discount
- i. Terms of Delivery
- j. Post Warranty AMC
- k. Performance Security Deposit
- l. Liquidated Damages
- m. Installation, testing and commissioning charges
- n. Percentage of Agency Commission in case of imports.
- o. Agency Commission should be included in the FOB Price and will be paid to the Indian Agents if registered with DGS&D **(wherever required)**
- p. Gateway Airport in case of shipment from abroad
- q. Beneficiary Bank and SWIFT No. in case of imports
- r. **Price on Turnkey Basis (for Non – Thermal Plasma Fuel Reformer with accessories) with complete Price break up of all components** if possible, **all service charges, Insurance** charges of man & material up to handover the plant and any other charges (if any) ,Total expenses borne by CIMFR up to hand over.
- s. Priced previous purchase orders of similar/ same item /plant with satisfactory completion report from the user must be submitted for confirmation of Price reasonability/ assessment of experience & ability in concerned field.

Financial Bid should consist of:

Price on Turnkey Basis (for Non – Thermal Plasma Fuel Reformer with accessories) with complete Price break up of all components if possible, **all service charges, basic price** in case of indigenous supply/FOB price in case of imports.
 Note:-Basic price, Price break up and Total Price on turnkey basis must be submitted.

Commercial Terms

- a. Percentage rate of CST/LST, Octroi, freight and forwarding charges, handling charges, loading/unloading charges, any other tax/charge as applicable should be clearly mentioned. The offers indicating "Taxes as applicable" or "Taxes inclusive" may be rejected.
- a. Percentage rate of CST/LST, Octroi, freight and forwarding charges, handling charges, loading/unloading charges, any other tax/charge as applicable should be clearly mentioned. The offers indicating "Taxes as applicable" or "Taxes inclusive" may be rejected.
- b. Validity of Quotation
- c. Delivery Period
- d. Installation schedule
- e. Payment Terms
- f. Warranty
- g. Training
- h. Discount
- i. Terms of Delivery
- j. Post Warranty AMC
- k. Performance Security Deposit
- l. Liquidated Damages
- m. Installation, testing and commissioning charges
- n. Percentage of Agency Commission in case of imports.
- o. Agency Commission should be included in the FOB Price and will be paid to the Indian Agents if registered with DGS&D **(wherever required)**
- p. Gateway Airport in case of shipment from abroad
- q. Beneficiary Bank and SWIFT No. in case of imports
- r. **Price on Turnkey Basis(for Non – Thermal Plasma Fuel Reformer with accessories) with complete Price break up of all components** if possible, **all service charges, Insurance** charges of man & material up to handover the plant and any other charges (if any) ,Total expenses borne by CIMFR up to hand over.

The bids complete in all respects addressed to the Director, CIMFR should reach at the following address **latest by 5.00 PM on 27.06.2011.**

**Central Institute of Mining & Fuel Research
 Erstwhile Central Mining Research Institute
 (Council of Scientific & Industrial Research),
 Barwa Road Campus, Dhanbad -826015, JHARKHAND, INDIA ☎: 0091-0326-2296030, STD CODE: 0326**

The Tenders (Technical Bids only wherever applicable) will be opened in this Office at 3.00 P.M hours on 28.06.2011 in the presence of Bidders (only one representative of the firm) who is willing to participate in the tender.

SECTION - II

INSTRUCTION TO BIDDERS

1. Scope of Work:

Supply installation, testing, commissioning, demonstration and training in the usage and administration of procurement of products mentioned in our Open Tender Notice.

2. Bidders:

The invitation for Bid is open to all Indian Original Equipment Manufacturers / Authorized Distributors/Authorized Dealers/Authorized Retailers/Foreign Manufacturers or suppliers directly/authorized Indian Agents. In such cases where the tenders are submitted by the Indian Agents of their Foreign Manufacturer/Supplier or directly by the Principal to CIMFR, then the tender of Foreign Manufacturer/Supplier will only be considered and CIMFR will deal directly with the Foreign Manufacturer/Supplier or otherwise as decided by Director' CIMFR.

3. Cost of Bidding:

The bidders shall bear all costs associated with the preparation and submission of its bid and CIMFR will in no case be responsible or liable for these costs regardless of the conducts and the outcome of the bidding process.

4. The Bidding Documents:

The goods and services required, bidding procedures and contract terms are prescribed in the bidding document. In addition to the invitation for the bids, the bidding document includes:

- a) Instruction to bidders
- b) Schedule of requirements
- c) Technical Specifications
- d) Terms & Conditions
- e) Bid form and price schedule

The bidder is expected to examine all instructions, forms, terms and conditions in the bidding document. Failure to furnish all information required or submission of bid not substantially responsive to the bidding documents in every respect will be at the bidder's risk and may result in rejection of its bid.

5. Preparation of bids:

The bids are to be submitted in three separate sealed envelopes

- a) Technical-Commercial Bid
- b) Financial Bid

6. Submission of Bids :

a) Sealing and Marking of Bids

- i) The bids shall be submitted in three separate sealed envelopes addressed to **The Director, Central Institute of Mining & Fuel Research , Barwa Road, DHANBAD-826015 JHARKHAND, INDIA** which shall be marked as "Technical-Commercial Bid" and "Financial Bid" mentioning Tender Number, Description of Item and Date of Opening and all the three envelopes should be put inside the big envelope.

ii) The Envelopes shall indicate the name and address of the bidder to enable the bid to be returned unopened in case it is declared late and delayed.

Telex, cable, facsimile and unsigned bids will not be considered and rejected.

b) Deadline for submission of Bids

i) Bids must be received by CIMFR at the address given in Section-I not later than the time and date specified on the cover page. In the event of the specified date for the submission of bids being declared a holiday for CIMFR, the bids will be received up to the appointed time on the next working day.

ii) The Director, CIMFR may at his discretion extend the deadline for submission of bids by amending the bid documents, in which case all rights and obligations of the purchaser and bidders previously subject to the deadline will thereafter be subject to the deadline as extended.

c) Late Bids

Any bid received after the deadline for submission of bids prescribed by CIMFR will be rejected and/or returned unopened to the bidder.

d) Bid Opening and Evaluation

Opening of Technical Bids by Purchaser

The Purchaser will open all Technical-Commercial Bids submitted as per requirement in the presence of bidders' representatives who choose to attend, at the time, on the date and venue indicated in Section-I. The bidders' representatives present there, shall sign a register evidencing their attendance. In the event of the specified date of the bid opening being declared a holiday for the Purchaser, the bids shall be opened at the appointed time and location on the next working day.

e) Clarification of Bids

i) During evaluation of the bids, the purchaser may at his discretion ask the Bidder for clarification of bids. The request for clarification and the response shall be in writing and no change in price or substance of the bid shall be sought, offered or permitted.

ii) No Bidder shall contact the Purchaser on any matter relating to its bid from the time of the bid opening to the time the contract is awarded. If the Bidder wishes to bring additional information to the notice of the Purchaser, it should be done in writing.

iii) Any effort by a Bidder to influence the Purchaser in its decisions on bid evaluation, bid comparison or contract award decision may result in rejection of the Bidder's bid.

f) Evaluation of Technical Bid

i) Prior to the detailed technical evaluation the purchaser will determine the substantial responsiveness of each bid to the Bidding Documents. A substantially responsive bid is one that conforms to all the terms and conditions of the Bidding Documents without material deviations.

ii) A bid determined as not substantially responsive will be rejected by the purchaser and may not subsequently be made responsive by the Bidder by correction of the non-conformity.

iii) All the vendors will have to bring their equipment/machine for testing and technical evaluation/benchmarking as and when asked for, if required. Separate communication will be sent in this regard.

The bidders short listed by the purchaser based on evaluation of their technical bids may be called for detailed discussion including presentation of their equipment system to a team selected by the purchaser for the purpose, at a specified date, time and venue, if needed.

g) Opening of Financial Bids

i) The purchaser will open the financial bids of only those bidders, which are found to be technically qualified to undertake the job. The time, date and venue of opening of financial bids will be intimated to these technical qualified bidders only.

ii) The Financial Bids of the technically qualified bidders shall be opened in the presence of their representatives, who are willing to participate, on the specified date, time and venue.

h) Evaluation and Comparison of Bid

i) The comparison shall be of all inclusive price of goods, inclusive of all costs as well as taxes paid or payable and the warranty period asked for.

ii) Arithmetical errors will be rectified on the following basis: if there is a discrepancy between the unit price and the total price that is obtained by multiplying the unit price and quantity the unit price shall prevail and the total price shall be corrected. If the supplier does not accept the correction of errors, its bid will be rejected. If there is a discrepancy between words and figures, the amount in words will prevail.

iii) Bidders shall state their bid price for the payment schedule. Bids will be evaluated on the basis of this base price. Bidders are however, permitted to state an alternative payment schedule and indicate the reduction in bid price they wish to offer for such alternative payment schedule. The purchaser may consider the alternative payment schedule offered by the selected Bidder but it may not be binding on purchaser.

i) Placement of Purchase Order

The purchaser will place the purchase order on the successful bidder whose bid has been determined to be substantially responsive and has been determined as the best evaluated bid provided further that the bidder is determined to be qualified to perform the contract satisfactorily.

j) BANK DETAILS OF THE BIDDERS:

- i) Name of the firms/Org.:**
- ii) Bank A/c No:-**
- iii) Name of A/c holder:-**
- iv) Name of Bank:-**
- v) Branch Code:-**
- vi) RTGS Code:-**
- vii) NEFT Code:-**
- viii) SWIFT Code:-**
- ix) MICR Code:-**

SECTION - III

TERMS & CONDITIONS

1. Submission of Tenders: Sealed tenders must be submitted in an envelope duly super scribing "Tender/File Ref.No., Description of item and Date of Opening" addressed to **The Director, Central Institute of Mining & Fuel Research, Barwa Road, Dhanbad - 826015 JHARKHAND, INDIA** in the Tender Box kept in the Office of the Stores & Purchase Officer, CIMFR, **latest by 5.00 PM on 27.06.2011 positively. Request for extension of submission date of tenders will not be considered.**

2. Late/delaved tenders : Late/delayed tenders due to any reason whatsoever will not be accepted / considered at all under any circumstance.

3. Opening of Tenders: The tenders received will be opened at **3.00 P.M.** on **28.06.2011** in the presence of the authorized representatives, if any, of quoting firm (one member only) at this office. **Request for extension of opening date of tenders will not be considered.**

4. Performance Security Deposit: The successful tenderer will have to furnish an unconditional Performance Bank Guarantee in favour of the Director, CIMFR, Dhanbad valid up to sixty (60) days after the warranty from a Scheduled/Nationalised Bank in India for 10% of the total order value before the release of final payment where payment is to be made on satisfactory supply, installation, testing, commissioning, demonstration and final acceptance of the products.

5. Refund of Performance Security Deposit: The Performance Security Deposit will be returned to the successful vendor after sixty days from the date of the completion of warranty period and no interest would be paid thereon.

6. Warranty: Equipments should be under free ONSITE comprehensive warranty for a minimum period of **two years for Non- Thermal Plasma Fuel Reformer with accessories and one year for Plasma Display Panel** from the date of completion of satisfactory installation, testing, commissioning, demonstration and final acceptance of the products. A satisfactory service during the warranty period is defined as 95% uptime. In case 95% uptime is not provided, the warranty period would be extendable by a period which is equivalent to the period during which 95% uptime was not provided. **The bidder will also ensure that the spares are available at least for three years after the warranty period for the operation and maintenance of the equipments supplied. The firms giving the warranty offer less than two years (for Non- Thermal Plasma Fuel Reformer with accessories) and must specify the equivalent amount to be charged for additional warranty/per year which will be added to the price quoted for deciding Lowest Tender. This must be strictly complied.**

7. Custom Duty and Excise Duty: Our Institution is eligible for payment of concessional Custom Duty and exempted from payment of Excise duty.

a) In case, the tenderers are Indian Agents of the foreign suppliers and quoting prices on behalf of their foreign principals must enclose the proof of enlistment with DGS&D (**wherever required**). Date of enlistment must be before the date of opening of tenders. Tenders of agents not enlisted with DGS&D will be ignored and summarily rejected. The compulsory enlistment of Indian Agents of foreign principals with DGS&D is of general nature and does not confer on the Indian Agents the status of a supplier registered with DGS&D.

b) In case, the prices are quoted in foreign currency, it must be on FOB price. Indian Agency Commission/Technical Service Charges, if any, must also be shown separately and shall be payable in India in Indian Rupees only if the Indian Agent is registered with DGS&D. Kindly indicate Indian Agent's address, their kind of services and percentage Agency Commission (which will be reduced from invoice and paid in Indian Rupees Only). Also quotation should indicate whether Agency Commission is included / excluded in the FOB price.

c) In case of Domestic, the offer should contain the basic price and percentage of Excise Duty separately since we are exempted from payment of Excise Duty.

8. Prices: The price quoted should clearly mention whether

a) **Price on Turnkey Basis(for Non – Thermal Plasma Fuel Reformer with accessories) with complete Price break up of all components if possible, all service charges, Insurance** charges of man & material up to handover the plant and any other charges (if any) ,Total expenses borne by CIMFR up to hand over.

b) **FOR destination /Dispatching Station by registered road transport**

c) **FOR free delivery at this office Stores including Packing & Forwarding, freight, insurance charges, etc.**

d) **Where there is no mention of the above, the offers will be rejected as incomplete.**

e) **In case of Imports, the quotation should be for FOB price only.**

9. Taxes: The percentage rate of sales tax, resale tax, duties/levies/ Service tax and any other charges etc, should be clearly indicated in the tender, wherever chargeable. The packing charges must be included in the rates. **CIMFR is not authorized to issue C/D Forms.** However, the concessional rate of central sales tax is admissible to Research Institutions from certain States is also applicable to this Institute and necessary Concessional Sales Tax Certificate will be issued. The supplier should submit documentary proof while claiming octroi, naka etc. charges.

10. Annual Maintenance Contract: After the expiry of warranty period, ONSITE Comprehensive Maintenance Contract may be entered into for which the Annual Maintenance Contract (AMC) charges should invariably be quoted in terms of percentage (%) of cost on the exact amount inclusive of all taxes and duties of the product to be supplied.

Satisfactory services during AMC period is defined as 95% uptime. In case 95% uptime is not provided the AMC period would be extendable by a period which is equivalent to the period during which 95% uptime was not provided.

Response Time : Should be four hours

Preventive Maintenance: Tenderers should provide at least one preventive maintenance service every month during the AMC period.

11. Training: (For Non – Thermal Plasma Fuel Reformer With Accessories)

Tenderers should provide free training on the complete operation and care of the equipment and Software Packages to be supplied on mutually agreed terms.

a) Pre-dispatch visit and final discussion at the factory by two scientist.

b) Installation, commissioning and training at the user site.

12. Validity of Tender: The quotations shall be valid for a minimum period of **One Hundred Eighty (180) days from the date of opening of tenders.**

13. Delivery: Equipment may be delivered between 11.00 A.M. to 04.00 P.M. on all working days i.e. Monday to Friday at our Stores Section only.

14. Liquidated Damages: The LD clause of 01% per week subject to maximum 10% of the order value will be imposed on non- compliance of the order Terms &Conditions. The L.D may further be revised and enhanced as per the descretion of the Competent Authority, CIMFR on violation of the contractual terms of any form. Director, CIMFR reserves the right to go ahead with the procurement of ordered goods from any another vendor without giving any prior notice and cancel the purchase order. In such case, any additional impact on CIMFR over and above that contained in the Purchase Order shall be recovered from the successful vendor from the payment to be made by CIMFR or any of the CSIR Labs. to them towards earlier supplies, EMD or otherwise

15 S.T. Registration No./ITCC/Distributorship/Dealership/Service Provider Certificates:

Tenderers must attach a legible photocopy of the following documents positively along with their tenders.

i) CST/Local Sales Tax Registration Certificate.

ii) Latest Income Tax Clearance Certificate.

iii) AuthorisedDistributorship/AuthorisedDealership/AuthorisedRetailership/Autorised Service Provider Certificate from the manufacturers.

16. Environmental conditions for the installation of equipments: Tenderers should specify minimum environmental needs for installation of their Equipments such as air-conditioning specifications, power supply specifications including any special requirements like voltage regulators, etc.

27. Software installation: Tenderers should clearly specify the minimum hardware requirements for the installation of Software Packages positively.

18. Tenderers should note that they should offer their best products pertaining to Technical specifications given.

19. Tenderers should clearly indicate whether they are Original Equipment Manufacturers or authorized distributors/dealers/suppliers on behalf of manufacturers. Brand names & Model Nos. of all equipments and components offered should necessarily be mentioned.

20. Tenderers should furnish the experience of their organization in the area of manufacturing and/or supply of similar equipment.

21. Tenderers should have a well established Office and Service and Support Centre in Kolkata / Dhanbad, India, managed by qualified maintenance professionals along with documentary evidence to be attached with their tenders.

22. Tenderers should indicate the names (along with addresses, Telephone nos., Fax No., Contact person, dates of supply, etc.) of various Government, Public Sector Departments and other organizations where they have supplied and installed the similar equipments and are duly maintaining them.

23. Tenderers should furnish all details of Performance Certification/Bench marking of their Equipments by recognized National/International Institutes Govt. Organizations like D.O.E. (Dept of Electronics), etc as applicable.

24. All prices shall be quoted clearly both in figures and words duly taking into account all concessions provided by the Govt. of India as on the date of tender. In case of discrepancy in Unit and Total prices, unit price shall be taken to be final price for the purpose of calculations.

25. Tenders incorporating additional conditions are liable to be binding on CIMFR/ It may be treated as conditional offer.

26. Complete details including final specifications of the equipments offered/quoted should be furnished along with brochures/literature mentioning all features.

27. Tenderers should indicate whether they are the OEMs/. Authorised Distributors/Authorised Dealers/Authorised Retailer of the equipments offered and have valid license to sell Equipment.

28. Tenderers will also indemnify CIMFR against all possible damage due to any Copyright violation by them.

29 Only legal and authorised copy of Software Packages with all original manuals, installation and performance guide, etc. complete in all respects are required to be supplied.

30. Tenderers will replace equipments in toto, in case of any malfunctioning or other similar problems arise after supply of the equipment.

31. Equipment supplied will include all Operational and Maintenance Manuals, tutorials, reference manuals, installation and performance guide, etc. complete in all respects. Connecting cable and/or any other

part/device which is essentially required for making the equipment operational is required to be supplied along with the equipment and additional cost.

32. CIMFR is an R&D organization under CSIR, Ministry of Science & Technology, Govt. of India. Therefore it is requested to **quote concessional rates applicable to the R&D organizations since the equipment is required for research purposes.**

34. Offers for stores vaguely described as "Best Indian Make", "Foreign Make" will be ignored while considering the tenders.

35. Details of Equipments supplied to CSIR Labs/Institutes: The tenderers who have supplied identical or similar equipment to other CSIR Labs/Institutions have to furnish the details of such supplies for the preceding three years along with the prices eventually or finally paid positively. Priced previous purchase orders with financial bid of similar/ same item /plant preferably of CSIR/ Govt.org./PSU/ Univ./Lab etc. with satisfactory completion report from the user must be submitted for confirmation of Price reasonability/ assessment of experience & ability in concerned field.

36. Responsibility: The responsibility lies with the successful tenderer, if any damage or loss to the property of the Institute occurs while undertaking and executing the contract.

37. Shortage of Supplies: Suppliers will have to make the good the shortages, if any, which is revealed after opening the packages. The Stores, which are spoiled/damaged during transit due to faulty packing will have to be replaced by the suppliers. The product should have warranty for workmanship, performance and service for a minimum period of twelve months from the date of acceptance of replacement of spares/parts during warranty period. The replacement should be done free of all costs including to and fro Air Freight, packing, forwarding and insurance charges.

38. Defects and Liability Period: Twenty four months(for Non – Thermal Plasma Fuel Reformer with accessories) Twelve months for Plasma Display Panel from the date of virtual completion, installation and commissioning of the equipments as certified by CIMFR, Dhanbad, India.

39. Damage and Unaccepted supply : The material found to be damaged and declared rejected should be collected by you at your risks and costs within 21 days from the date of intimation by CIMFR, otherwise ground rent will be charged.

In addition to the Terms and Conditions mentioned above, Terms and Conditions for the items offered from abroad are as follows:

40. The detailed specifications of the material offered should be given. Relevant technical Literature and descriptive catalogue / pamphlet should also be attached with the offer.

41. **EX-WORKS,FCA/ FOB/CIP/CIF / All charges up-final completion separately/ Price to be indicated.** Other charges applicable to be indicated separately.

42. INSURANCE: Insurance will be done by our own means for imports. Please intimate immediately after shipment about the Airway Bill No. For indigenous items the cost must include the insurance charges.

For indigenous fabrication item on TURNKEY basis. (for Non – Thermal Plasma Fuel Reformer with accessories):- Man & material insurance up to handover the firm may be done by the supplier.

Bill of Lading, consignment etc. to The Director, CIMFR, P.O + Dist: Dhanbad, Dhanbad, Jharkhand, India.

43. Price Reasonability/ Experience: Price list of manufacturer/previous purchase order and successful installation report of same or similar equipment or plant must be submitted.

Priced previous purchase orders with financial bid of similar/ same item /plant preferably of CSIR/ Govt.org./PSU/ Univ./Lab etc. with satisfactory completion report from the user must be submitted for confirmation of Price reasonability.

Make and Model, price break up of all components & service charges may be quoted separately. Transportation/ Freight up to FOR destination must be quoted.- for indigenous.

4. COUNTRY OF ORIGIN: Please specify Place/County of Origin and the Place/Country from where goods will be finally shipped. These particulars are very important for establishment of Letter of Credit and arranging insurance.

45. VALIDITY PERIOD: Your offer should be valid for at least One Hundred Eighty (180) days from the date of opening of tenders.

46. Please also indicate names and addresses of some of the Indian Organizations to whom you have supplied material, if any, under reference.

47. This Institute is eligible for payment of concessional customs duty under OGL Scheme. Actual User-Condition (Non-industrial-R&D institution).

48. INDIAN AGENT'S COMMISSION: If you have any Agent in India, please indicate specifically whether the amount of agency commission payable to the agent is included in the FOB Price or not. Moreover, Indian Agent should have compulsory registration with DGS&D, Govt. of India (**wherever required on case to case basis**). Please note that the tender will not be considered if the Indian Agent is not Compulsorily registered with DGS&D, Govt. of India and Agency Commission will not be paid to the Indian Agent unless a legible photocopy of DGS&D Registration Certificate duly attested is submitted to this office. The Indian Agents Commission will be paid in Indian Rupees only within thirty days from the date of commissioning

and final acceptance of the whole system by CIMFR, Dhanbad-826015, India. The role played by the Indian Agents in rendering assistance to your customers may also be specified.

49. FREIGHT: The mode of dispatch should be Ocean Freight/Air Freight preferably by Air India Flight and on To-Pay basis only. Please indicate the approximate Air Freight Charges for Kolkata Air Port, India. The consignments are required to be shipped by Air India (Freight to pay) up to Kolkata Airport, India. All the documents are to be made in favour of Director, CIMFR, Dhanbad-826 015, India and forwarded to our Banker.

In case of imported item gross weight volume and port of shipment must be quoted. Air freight, insurance, clearance charge, transportation charge/ custom duty or any chargeable duty/ lavy's borne by Institute will be added to arrived at landing cost at the time of comparison.

For speedy clearance, please specify our Purchase Order Reference No. and date on the top of the parcel as well as on the Airway bill without fail. Address all the consignments to **Director, CIMFR, Dhanbad-826 015**, India and not to Bank. The ordered materials are being imported under Open General License.

The following documents may be sent to us directly while dispatch.

Invoice in quadruplicate with deduction of Agency Commission, if any, Packing List, Delivery Challan, Country of Origin Certificate, Literature, if any, should be enclosed.

50. PAYMENT TERMS :

Term I - In case of indigenous orders, the payment will be on credit basis i.e. 100% after receipt of material in good condition, installation, testing, commissioning, satisfactory demonstration, final acceptance of the whole system and on submission of unconditional Performance Bank Guarantee for 10% of the total order value valid till 60 days after the warranty period from a Indian Scheduled Bank duly recognized by RBI.

Term II - In case of import orders, 80 percent value of goods will be paid through an Irrevocable Letter of Credit on submission of shipping documents. Balance 20 percent value of goods will be paid through L/C excluding Indian Agency Commission, if any, after installation, testing, commissioning, satisfactory demonstration, final acceptance of the whole system and on submission of unconditional Performance Bank Guarantee for 10% of the total order value valid till 60 days after the warranty period from a Foreign Bank duly endorsed by Nationalized Bank in India.

Term III - 100% payment after satisfactory installation & commissioning of the equipment if it is to be supplied for the first time in India or otherwise if the party does not have successful installation in India, against submission of unconditional Performance Bank Guarantee for 10% of the total order value within twenty one (21) days of the placement of Purchase Order valid till 60 days after the warranty period from a Foreign Bank duly endorsed by Nationalized Bank in India. Director, CIMFR reserves the right to change the payment terms at his discretion from case to case basis depending on the merit of the case.

OR

(for Non – Thermal Plasma Fuel Reformer with accessories)

Any of above Payment term will be preferable and will be highly appreciable / regarded. If not agreed above / not fall under above payment terms, phase wise Payment terms as below will be acceptable.

- 1. 40% of order value may be paid in advance against Bank Guarantee only for Govt. org/ PSU/ Autonomous body firm or 30% of order value may be paid in advance against Bank Guarantee for Pvt. firm.**
- 2. Next 40 % of order value may be paid after delivery/ receipt of full material at our site.**
- 3. Rest 20% for Govt. org/ PSU/ Autonomous body firm or rest 30% for Pvt. Firm after successful Installation commissioning against Performance security(PBG).**
- 4. Installation and Commissioning will be completed Preferably within Three weeks (21days) from the date of receipt of full material at site.**

51. The tenders are liable to be cancelled if any of the conditions noted herein are not complied with. Hypothetical, ambiguous and conditional tenders will not be entertained at all and rejected summarily.

52. Goods should not be dispatched until firm Purchase Order is received by the successful vendor.

53. Director, CIMFR reserves the right to delete or alter the item given in the enclosed annexure depending on prevailing requirements.

54. Director, CIMFR reserves the right to accept or reject any tender in completely or in part thereof without assigning any reason.

55. Arbitration :

Except where otherwise provided in the Contract, all questions and disputes relating to the meaning of the specifications, instructions and terms & conditions herein before mentioned and as to the quality of the materials, as to any question, claim, right, matter or thing whatsoever, in any way arising out of or relating to the Contract. Specifications, estimates, instructions, orders

or these conditions or otherwise concerning the works, or the execution of the same whether arising during the process of the work or after the completion or abandonment thereof shall be **referred to the sole arbitration of a person nominated by the Director General, Council of Scientific & Industrial Research, New Delhi**, and if he is unable or unwilling to act to the sole arbitration of some other person appointed by him willing to act as such arbitrator. The submission shall be deemed to be submission to Arbitration under the meaning of the India Arbitration & Conciliation, 1996 or any satisfactory modification or reenactment thereof for the time being in force conclusive and binding on all parties of the Contract. **The venue of the arbitration will be Dhanbad only.**

In the case of a dispute between the purchaser and a foreign supplier, the dispute shall be settled by arbitration in accordance with provision of clause above. But if this not acceptable to the supplier then the dispute shall be settled in accordance with provisions of UNCITRAL (United Nations Commission of International Trade Law) Arbitration Rules. The venue of the arbitration shall be the place from where the order is issued.

SECTION - IV

FORMATS FOR BID SUBMISSION **Checklist for Bid Submission**

The following check-list must be filled in and submitted with the bid document:

Technical Bid:

1.	Has the tender document issued to you?	Yes / No
2.	Have you attached the technical bid form?	Yes / No
3.	Have you attached a copy of the last audited balance sheet of your firm?	Yes / No
4.	Have you attached proof of the manufacturer's authorization?	Yes / No
5.	Have you attached the details of the income tax registration and latest income tax clearance certificate?	Yes / No
6.	Have you attached the statement of deviations from the technical Specifications in the format?	Yes / No
7.	Have you provided details of your maintenance infrastructure facilities including addresses of the service centers in the format	Yes / No
8.	Have you attached the technical details of the goods and services offered as a part of this bid document?	Yes / No
9.	Have you attached the copies of relevant work orders executed during the last three years?	Yes / No
10.	Have you attached the details/ un priced Previous Purchase orders of identical or similar equipments supplied to other CSIR Labs/Institutes/ Govt. org./PSU for the preceding three years together with prices eventually or finally paid?	Yes / No
11.	Have you attached photocopy duly attested of Certificate of compulsory Enlistment of Indian Agents of foreign principals with DGS&D if quoting on their behalf? Date of enlistment must be before the date of opening of tenders.	Yes / No
12.	Have you attached Service Provider Certificate issued by the Manufacturer?	Yes / No
13.	Have you attached Make/Model/ Leaflet/ Catalogue of all components, List of all components & Services , authorization of manufacturer,	Yes/ No.

Financial Bid:

1.	Have you attached the Financial Bid?	Yes / No
2.	Have you attached the price schedule for the goods/services offered in the Format?	Yes / No
3.	Have you attached the statement of deviations from the Financial terms and conditions in the format?	Yes / No
4.	Have you submitted complete Price break up of all components, all service charges, Insurance charges of man & material up to handover the plant and any other charges (if any) ,Total expenses borne by CIMFR up to hand over the plant.	Yes/ No.
5.	Have you submitted Priced previous purchase orders with financial bid of similar/ same item /plant preferably of CSIR/ Govt.org./PSU/ Univ./Lab etc. with satisfactory completion report from the user must be submitted for confirmation of Price reasonability/ assessment of experience & ability in concerned field.	Yes/ No.

Please arrange your tender document for each part as given below:

Earnest Money Deposit :

TECHNICAL BID:

Technical Bid Form

Copy of the Last Audited Balance Sheet of the company

Income Tax Registration Certificate/PAN No.and latest Income Tax Clearance Certificate

Proof of Manufacturer's authorization

Photocopy of Warranty Service Provider Agreement between the manufacturer and the Service Provider.

Statement of Deviation from the technical specifications

Details of service centers at Dhanbad

Photocopy duly attested of Certificate of compulsory enlistment of Indian Agents of foreign principals with DGS&D if quoting on their behalf. Date of enlistment must be before the date of opening of tenders?

Copies of relevant work orders

Details of supplies of identical or similar equipment made to other CSIR Labs/Institutions for the preceding three years together with price eventually or finally paid.

FINANCIAL BID:

Financial Bid Form

Estimated quantity and Financial Bid Analysis

Statement of Deviations from Financial terms and conditions

Technical Bid Form

(To be submitted on the firm's Letter Head and signed by an authorized person)

To ,
The Director
Central Institute of Mining & Fuel Research
P.O. DHANBAD Barwa Road,
DHANBAD – 826015, Jharkhand,INDIA

Ref: Tender No.

Sir,

Having examined the bidding documents, the receipt of which is hereby duly acknowledged, we, the undersigned offer to supply and deliver goods as per the schedule of requirements and in conformity with the said bidding documents.

We undertake, if our bid is accepted, to deliver the goods in accordance with the delivery schedule specified in the bidding documents.

If our bid is accepted, we will submit a unconditional performance bank guarantee for the sum equivalent to 10% of the Contract Price i.e. Total Order Value for the due performance of the Contract, in the form prescribed by the Central Institute of Mining & Fuel Research, Dhanbad.

We agree to abide by this bid for a period of One Hundred Eight(180) days after the date fixed for opening and it shall remain binding upon us and may be accepted at any time before the expiration of that period.

We declare that we are the manufacturers/authorized agents/distributor of

that we/our principals are equipped with adequate machinery for production, quality control and testing of offered products manufactured/developed and used by us.

2. We hereby offer to supply the Goods/Services at the price at the rates mentioned in the Financial Bid.

3. We enclose herewith the complete Technical Bid as required by you. This includes:

Technical Bid Form

Copy of the last audited balance sheet of the company

Proof of Manufacturers authorization.

Technical details of the goods and services offered.

Statement of deviation from the technical specifications

Details of local service centers

Product catalogues/user manual/other informative material about our products and Services.

Details of supplies of identical or similar equipment to other CSIR Labs/Institutes for the preceding three years together with prices eventually or finally paid.

Photocopy duly attested of Certificate of compulsory enlistment of Indian Agents of Foreign principals with DGS&D if quoting on their behalf. Date of enlistment (It must be before the date of opening of tenders).

4. We have carefully read and understood the terms and conditions of the bid document and the conditions of the contract applicable to the bid document and we do hereby undertake to supply as per these terms and conditions.

5. Certificate that the bidder is:

A Sole proprietorship firm and the person signing the bid document is the sole proprietor/constituted attorney of the sole proprietor, or

A partnership firm, and the person signing bid document is a partner of the firm and he has authority to refer to arbitration disputes concerning the business of the partnership by virtue of the partnership agreement/by virtue of general power of attorney, or

A company and the person signing the document is the constituted attorney.

(NOTE: Delete whatever is not applicable. All correction/deletions should invariable by duly attested by the person authorized to sign the bid document)

6. We do hereby undertake take, until a formal work order is prepared and executed, this bid, together with your written acceptance thereof and placement of letter of intent awarding the work order, shall constitute a binding contract between us.
Dated this day 2010 Signature of Bidder

Details of enclosures.

Full Address _____

Telephone No. _____

Telegraphic Address: _____

Fax No _____

E-Mail _____

COMPANY SEAL

**STATEMENT OF DEVIATIONS FROM TECHNICAL SPECIFICATIONS AND
SCHEDULE OF REQUIREMENTS**

Following are the Technical deviations and variations from the Technical specifications and Schedule of Requirements. These deviations and variations are exhaustive. Except these deviations and variations, the entire work shall be performed as per your specifications and documents.

SI No.	Item	Statement of Deviations / Variations

Signature of the Bidder

Name:

Date:

Place:

Address:

Company Seal

**MAINTENANCE INFRASTRUCTURE FACILITIES INCLUDING ADDRESSES OF
THE LOCAL SERVICES CENTRES**

LOCATION	ADDRESS OF SERVICE CENTRE	NAME OF THE CONTACT PERSON WITH TEL. No. Fax No. and Email	Total No. of qualified service engineers	Remarks

Signature of the Bidder

Name:

Date:

Place:

Address:

Company Seal

Financial Bid Form

(On the Letter Head of the firm submitting the Bid Document)

To
The Director
Central Institute of Mining & Fuel Research
P.O.DHANBAD, DISTT: DHANBAD
PIN - 826015, Jharkhand, INDIA

Ref: Tender No.

Sir,

Having examined the bidding documents and having submitted the technical bid for the same, we, the undersigned, hereby submit the Financial Bid for supply of goods and services as per the schedule of requirements and in conformity with the said bidding documents.

We hereby offer to supply the Goods/Services at the prices and rates mentioned in the Financial Bid.

We do hereby undertake that, in the event of acceptance of our bid, the supply of Goods/Services shall be made as stipulated in the schedule to the Bid document and that we shall perform all the incidental services.

The prices quoted are inclusive of all charges including installation and commissioning charges in the Central Institute of Mining & Fuel Research Institute, Dhanbad.

We enclose herewith the complete Financial Bid as required by you. This includes:

Financial Bid Letter

Price Schedule

Statement of deviations from Financial terms and conditions.

We agree to abide by our offer for a period of One Hundred Eighty (180) days from the date fixed for opening of the bid documents and that we shall remain bound by a communication of acceptance within that time.

We have carefully read and understood the terms and condition of the bid document and we do hereby undertake to supply as per these terms and conditions. The Financial Deviation are only those mentioned in the statement of deviation from financial terms and conditions.

Certified that the bidder is:

A sole proprietorship firm and the person signing the bid document is the sole proprietor/constituted attorney of sole proprietor.

Or

A partnership firm and the person signing the bid document is a partner of the firm and he has authority to refer to arbitration disputes concerning the business of the partnership by virtue of the partnership agreement/by virtue of general power of attorney.

Or

A company and signing the bid document is the constituted attorney.

(Note: Delete whatever is not applicable. All corrections/deletions should invariably be duly attested by the person authorized to sign the bid document).

We do hereby undertake, that until a formal work order is prepared and executed, this bid, together with your written acceptance thereof and placement of letter of intent awarding the work order, shall constitute a binding contract between us.

Dated this day of _____ Signature of Bidder

Details of enclosures

Full Address:

Telephone No.

Telegraphic Address:

E-mail:

COMPANY SEAL

PRICE SCHEDULE - Estimated Quantity and Financial Bid Analysis

Sl No	Item Name	Qty.	Manufacturer	Model Name & Version	Compliance to suggested Technical Specification	Operating System Environment	Unit Cost Rs.	Total cost (inclusive of all other charges)

1. Attach sheet giving detailed Technical Specification and deviations for the suggested systems.

NOTE

- (i) For Financial bid comparison total Value in Col. No. 9 shall be the basis.
- (ii) Unit value quoted in actual quantity of work shall form the basis.
- (iii) The Bid should have Col. 3 x Col. 8 = Col.9. Any error in the Table of any bidder is liable to be out rightly rejected.
- (iv) The price quoted should be inclusive of all charges including all applicable taxes, Octroi, freight and handling charges, and all other miscellaneous expenses.
- (v) In case of discrepancy between unit price and total price, the unit price will prevail.
- (vi) Annual Maintenance Charges after warranty period should be quoted separately.

Signature of the bidder

Name :

Place :

Date :

Address :

Company Seal

STATEMENT OF FINANCIAL DEVIATIONS

Following are the financial deviations and variation(s) from the exceptions to the specifications and documents for the Bid document. These deviation(s) and variation(s) are exhaustive.

Except these deviation(s) and variation(s), the entire work shall be performed as per your specifications and documents.

SI No.	Section No.	Clause No.	Statement of Deviations / Variations

S. No. Section No. Clause No. Statement of deviation(s) and variation(s)

Signature of the bidder

Name:

Place:

Date:

Address:

Company Seal

PRICE SCHEDULE FOR GOODS BEING OFFERED FROM ABROAD

Name of the Bidder : _____

TENDER No.: _____

1	2	3	4	5	6	7	8	9			
Sl. No.	Item Description	Country of origin	Unit	Qty.	Unit Price		Total Price(5x6)		Charges for Insurance & transportation to port/place of destination		Total Price (7+8) CIF
					FOB (named port of shipment)	FCA (named place of delivery)	FOB (named port of shipment)	FCA (named place of delivery)	Ocean	Air	

Note:

Currency

(a) Indian agents name and address _____ in words.

(b) Installation, commissioning & training charges, if any.

(c) Cost of spares: _____

Address : _____

(d) The Indian Agent's commission shall be paid in Indian Rupees only based on the Exchange Rate prevailing on the date of negotiation of documents in accordance with clause 22.1 of GCC.

(e) The cost of optional items shall be indicated separately.

Total Bid Price in Foreign

Signature of Bidder

Name

Business

PRICE SCHEDULE FOR GOODS BEING OFFERED FROM INDIA

Name of the Bidder : _____

Tender No.: _____

<u>1</u>	<u>2</u>	<u>3</u>	<u>4</u>	<u>5</u>	<u>6</u>	<u>7</u>	<u>8</u>	<u>9</u>	<u>10</u>	<u>11</u>
Sl. No.	Item Description	Country of Origin	Unit	Qty.	Ex-works/ Ex-ware house/ Ex-showroom off the shelf price (inclusive of all taxes already paid)	Total Price Ex-Works / Ex-ware house/ Ex-showroom off the shelf price (inclusive of all taxes already paid) 5x6	VAT & other taxes like excise duty payable, if contract is awarded	Packing & forwarding upto station of dispatch, if any	Charges for inland transportation, Insurance upto Lab./Instt.	Installation, Commissioning and Training Charges, if any

Total Bid Price in Foreign
Currency in words:
Signature of Bidder

Name : _____

Address : _____

Note: (a) The cost of optional items shall be indicated separately.
(b) Cost of Spares.

BID SECURITY FORM

WHEREAS
(hereinafter called “the Bidder”) has submitted its bid dated(Date if
submission of bid) for the supply of(Name and/or
description of the goods) (Hereinafter called “the bid”).

KNOW ALL PEOPLE by these presents that WE(Name
of bank) of (Name of country), having our registered office at
(address & phone & fax no. of bank) (hereinafter called “the bank”), are bound unto
..... (Name of Purchaser) (hereinafter called “the Purchaser”) in
the sum of For which payment well and truly
to be made to the said purchaser, the Bank binds itself, its successors, and assigns by these
presents, Sealed with the common Seal of the said Bank this Day of
..... 200.....

THE CONDITIONS of this obligation are:

1. If the Bidder withdraws its Bid during the period of bid validity specified by the Bidder on the Bid Form; or
2. If the Bidder, having been notified of the acceptance of its bid by the Purchaser During the period of bid validity:
 - a) Fails or refuses to execute the Contract Form if required; or
 - b) Fails or refuses to furnish the performance security, in accordance with Instruction to Bidders.

We undertake to pay the purchaser up to the above amount upon receipt of its first written demand, without the Purchaser having to substantiate its demand, provided that in its demand the Purchaser will note that the amount claimed by it is owing to it, owing to the occurrence or one or both of the two conditions, specifying the occurred condition or conditions.

This guarantee shall remain in force up to and including 180 (One Hundred Eighty) days after the period of the bid validity, and any demand in respect thereof should reach the Bank not later than the above date.

PERFORMANCE SECURITY FORM

To: _____ (Name of Purchaser)
WHEREAS _____ (Name of Supplier) hereinafter called "the Supplier" has undertaken, in pursuance of Contract No. _____ dated _____ 2007 to supply _____ (Description of Goods and Services) hereinafter called "the Order" AND WHEREAS it has been stipulated by you in the said order that the Supplier shall furnish you with a Bank Guarantee by a recognized bank for the sum specified therein as security for compliance with the Supplier's performance obligations in accordance with the order.

AND WHEREAS we have agreed to give the Supplier a Guarantee:
THEREFORE WE hereby affirm that we are Guarantors and responsible to you, on behalf of the Supplier, up to a total of _____ (Amount of the Guarantee in Words and Figures) and we undertake to pay you, upon your first written demand declaring the sum or sums within the limit of _____ (Amount Guarantee) as aforesaid, without your needing to prove or to show grounds or reasons for your demand or the sum specified therein.

This guarantee is valid until the _____ day of _____

Signature and Seal of Guarantors

Date

Address

All correspondence with reference to this guarantee shall be made at the following address:

(Name & address of the lab)



DETAILS OF TENDER DOCUMENT FOR ANNUAL RATE CONTRACT (ARC)

**For chemicals, Glasswares,
filter paper ,
silicaware, labware
/Lab aids/Kits, Crucibles
and other consumables.**

2011-2012

Tender Document for **Chemicals, Glass-wares, Plastic wares, Filter paper,/liquid handling System ,Silica Ware, Lab Kit/Aids, Crucibles & other Consumables.**

INTRODUCTION

Central Institute of Mining & Fuel Research, Dhanbad, a constituent establishment of Council of Scientific & Industrial Research under Ministry of Science and Technology, Govt. of India engaged in Research & Development activities is in frequent requirement of **Chemicals, Glass-wares, Plastic wares, Filter paper,/liquid handling System ,Silica Ware, Lab Kit/Aids, Crucibles & other Consumables** for Lab/office/others. In order to simplify the process of procurement the Director, CIMFR, Dhanbad desires to enter into Annual Rate Contract (ARC) for the said items for one year from the date of award of contract.

In this connection, you are requested to submit the best competitive offer strictly as per the instruction and terms & conditions mentioned in the tender document.

INSTRUCTIONS TO BIDDER

1. Preparation of Bids

- (i) Tenders must be sealed and super-scribed with **Chemicals, Glass-wares, Plastic wares, Filter paper,/liquid handling System ,Silica Ware, Lab Kit/Aids, Crucibles & other Consumables.** for Lab/office/others". Each quotation sent by post/courier should be enclosed in double cover. The outer cover should bear only the address of the sender and the received without any indication that there is a quotation inside. Tenders/Quotations delivered personally should be put in the Tender box kept at the Receipt Section of CIMFR, Dhanbad. In case of personal delivery, outer cover is not necessary.
- (ii) Opened/Unsealed Tenders in any form shall not be accepted.
- (iii) Tenders must be addressed to **Director, CENTRAL INSTITUTE OF MINING & FUEL RESEARCH, HEAD QUARTER, BARWA ROAD, DHANBAD -826015, JHARKHAND**
- (iv) Tenders/ quotations must be sent efficiently in advance, so that it reaches the destination on or before the due date and time. Quotations received after the due date and time shall not be considered at all. The Institute Shall not be held responsible for any postal delay, if any.
- (v) Conditional and unambiguous and late / delayed tenders shall be rejected summarily. .
- (vi) The offers must be neatly typed/ computer generated to avoid any errors or misrepresentation. If so requested by us tenders/quotations may be sent through FAX on +91-0326- 2296030 or E-mail at spo.cmri@nic.in or spo2011cimfr@gmail.com and office is not responsible for the message not legible or not delivered.
- (viii) Incomplete tenders in any form shall be treated as non-responsive, non acceptable.

2. SCOPE OF CONTRACT

- i) The supplier will have to maintain sufficient stock of the standard quality of all items to avoid inconvenience to CIMFR officials .
- ii) In case of failure or refusal to supply , the contract is liable to be cancelled at his risk and cost of supplier. Any extra cost involved in arranging supply from alternative source will be recovered from Annual contract holder.
- iii) The stores so supplied will have to be of high quality & grade and in the event of substandard / inferior quality, the supplier is liable to be blacklisted.
- iv) All the Bids will be opened as per the date and time specified in the Tender Document. If desires, bidder's representatives may attend the same.

3. PERIOD OF CONTRACT :

The contract (ARC) shall be for a maximum period of one year from the date of issue of order unless cancelled by the DIRECTOR, Central Institute of Mining & Fuel Research, Dhanbad before the expiry of the period at his discretion. However, the contract may be extended beyond one year, if so agreed to, by both the parties

The rates shall remain valid for a period of one year and there will be no change in price structure during the currency of the contract except, if the statutory levies are otherwise made applicable by the Govt. through notification / regulations. Enlistment can be cancelled at any time if the firm found as a habitual defaulter or supplying sub-standard material or for any reason or non-compliance of the terms and condition of the ARC. It may be noted that price/ rate for the year should not be higher than the market price at the point of time of supply if such documentary evidence/(es) would be made available , only market price would be payable to the supplier.

The Institute has the option to renegotiate the price with supplier/ Annual rate contract holder at any point of time within the period of contract & if there is strong reasons & necessary, negotiation may be possible before entering in to contact .

4. CIMFR OBLIGATIONS:

Opening of Quotations : The quotations will opened by three officers committee of CIMFR. Bidder/ their representative may attend Price Bid opening as per the mentioned/ intimated schedule.

CIMFR, Dhanbad is exempted in terms of government Notification No. 51/96-Customs dt.23july 1996 and Notification No. 10/97- Central Excise Dt. 1 March 1997 from paying Custom / Excise Duty on procurement of stores vide the department of scientific & industrial Research Certificate.

CST/VAT on concessional rates (if applicable) may be claimed by the suppliers outside Jharkhand against “**Concessional Sales Tax Certificate**” to be issued by CIMFR, Dhanbad. And if the supply is made within the state of Jharkhand, JST /VAT as applicable will be paid. Any extra amount will not be paid beyond MRP. Hence, cost should not be exceeded than MRP after addition of VAT on discounted price.

In-case of tax column- left blank/inclusive/all inclusive, it will be treated as all current taxes are inclusive within discounted price. Hence, No tax claim will be considered extra on discounted Price

Octroi Every Taxes, as applicable will paid by the firm and can be claimed afterwards on bill Basis on production of original vouchers for the supplied items only.

5. LIABILITY OF THE BIDDERS:-

Materials should be door delivered at CIMFR, Stores, Dhanbad.

Delivery must be made immediately preferably within 02-03 weeks after placement of order consumable over phone/ non consumable on proper order either by fax/email /Post/Hand from the issue of the order either directly or through their dealer network unless otherwise specified.

If the suppliers fail to deliver the stores within the allotted delivery period as specified above, the Purchaser may procure goods or services similar to those un-delivered upon such terms and in such manner as it deems appropriate from any other firm/ alternative source and the supplier will be liable to the purchaser for any excess cost.

Part Supply is normally not acceptable. But may be allowed on genuine cases, on written request only & permission of user.

(i) **Manufacturer's PRICE LIST/ CATALOGUE/ BROCHURE/PAMPHELT ETC. SHOULD BE SENT ALONGWITH THE OFFER**

- (ii) Softcopies of Price of the products can also be submitted in the form of CDs/ any non-volatile portable form.
- (iii) **Offered Basic price must not be higher than price displayed by manufacturer on their website/ Price list/ MRP on cover/ genuine & authentic documentary evidence . Price list must be stamped and signed with date by the bidders.**
- (iv) **Discount:- Please quote maximum discount on your list price as applicable to Government Research Institutes. Discount must be indicated in words as well as in figures.**
- (v) For any rate contract items / Quantities/ frequencies demand etc., if manufacturer has any special discount offer/ free gift scheme, the same shall have to be Passed on to CIMFR, without any additional cost.
- (vi) Mere submission of application/ proposal does not imply acceptance of the same at this end and the firms will be enlisted only after meeting the laid down qualifying parameters for which our decision will be final.
- (vii) **Specification and Make :** Quotation should be given for the exact specification and make as shown in the enquiry against Sl. No. of the item., if in the view of the supplier there is any other alternative item which can serve out purpose, quotation may also be given for the same separately, client list along with the Previous order copy of similar item (s) supplied to any CSIR Lab / any Govt. Organization including detail of price & all charges must be attached.
- (viii) **Mode of dispatch : Delivery** must be up to FOR destination at their own risk / cost i.e. free delivery at our stores of both the campus or at user scientist Department.
- (ix) **Delivery Period :** Delivery must be made immediately i.e., 02-03 weeks after placement of order consumable over phone/ non consumable on proper order either by fax/email /Post/Hand from the issue of the order either directly or through their dealer network unless otherwise specified.. In case of Ex-stock the rates of transport, F&F, Insurance etc. must be indicated separately (wherever applicable).
- (x) **Insurance:** In the case of FOR destination, insurance should also be covered by supplier. The goods should be insured in supplier favour against all risks from ware house to ware house basis. The insurance charges, if any, should be shown separately in the rates quoted.
- (xi) **Packing & Forwarding :** Rate should indicate packing & forwarding charges separately, if any.
- (xii) Printed terms and conditions of the applicant on their quotation Form/ Literature/ Letter etc. if any, will not be binding on us.

6. Appointment of Local Dealer/ Stockiest

The Manufactures/firms /principals shall furnish the name and address of their **local Stockiest /Dealer** so that the copies of orders can be endorsed to them for expeditious supply. In such cases where local dealers/ stockiest has been nominated by the principal, the bills raised by them against our purchase order will be accepted.

Any addition and deletion of dealership/ distributorship shall be intimated to the undersigned immediately on authorization of a new party.

7.ESTIMATED SALE:

The target of sale may vary depending upon the requirement

The Annual Rate Contract agreement with this Institute does not ensure business of any quantum, whatsoever.

8.WARRANTY: One year standard warranty (Wherever applicable)/ Life of the item (s) must be indicated with name and address of the manufacturer/ service provider should invariably be given.

9. ELIGIBILITY CRITERIA FOR THE TENDERERS:

The bidder has to produce the following documents while submitting the tender. Non- production of any of the following documents may lead to rejection of the BID/Offers.

- i) Copy of the firm's VAT/TIN NO. (REGISTRATION CERTIFICATE)
- ii) Copy of PAN CARD of the bidder.
- iii) Tax clearance certificate for last three years.
- iv) Dealership/ stockiest/ distributorship certificate/ authorization of the manufacture.
- v) Price list of the manufacturer.
- vi) Offer Maximum **Discount percentage**, which will be one of the most important criteria for selection of firm to enter into rate contract. If one manufacturer will authorize more than one firm for supply, the offer with the **highest Discount will be preferred.**
- vii) Experience with satisfactory service report / reputation of vendors will be preferred in order to CIMFR /CSIR Labs/ any Govt. org. / PSU, if offered same discount and authorized by same manufacturer.
- viii) **Any deviation from the tender& Conditions mentioned above will imply disqualification for the firm.**

10. LD / Penalty Clause:- A liquidated damage charges of minimum up to @ 0.25% of order value per month for consumable preferably / 01% for non consumable of the order value per week or maximum up to 10% of the total order value will be recovered from the vendor for non-compliance of the ARC Terms .

11. Loss, Damage & shortage:-CIMFR shall not be responsible for any loss, damages and shortage during transit / transportation. Payment shall be made for materials received in good conditions only.

12. PAYMENT TERMS: The supplier shall present their triplicate copies computer generated bill for each order/ supply. All payment shall be made on bill basis on receipt of the materials in full and all requisite documents as per terms & conditions of ARC & order normally within 30 to 60 days from the date of delivery or otherwise specified in the purchase order. Advance payment will not be made Payment will be made directly transfer to the A/C of the supplier(s) only after receipt of the stores in good condition, satisfactory inspection note along with all necessary documents and after final acceptance. Hence, RTGS/NFTS No. Banker address, A/C No. & A/C holder's address may be submitted.

12.AGREEMENT: Both the CIMFR and selected bidder for the contract shall enter into an agreement mutually agreed upon in the prescribed format which shall be operative for one year.

13.VALIDITY OF THE TENDER The validity of the offer should be 180 days from the date of opening of the tenders.

14.CHECK LIST

The bidder must submit the following documents along with their tender papers:

- i. income tax clearance certificate.
- ii. Name and address of their Bankers.
- iii. A authorization certificate from manufacturer.

- iv. Copy of registration certificate and by laws in case of co-operative society.
- v. Copy of the firm's VAT /TIN NO. (REGISTRATION CERTIFICATE **Submission of Bids**)
- vi. Copy of PAN CARD of the bidder.
- vii. Tax clearance certificate for last three years.
- viii. Dealership/ stockiest/ distributorship certificate/ authorization of the manufacture.
- ix. Price list of the manufacturer duly sealed & signed .

The Purchaser shall not be responsible for any postal delay and delay in receipt of the offer. Any bid received by the Purchaser without the tender fees along with the bids where tender documents are downloaded from the website will be rejected. **Delayed/ Late Bids will not be accepted at any circumstances.**

15. Discretion of the Director: Director, CIMFR reserves the right to accept or reject any or all the tenders without assigning any reason what so ever. The Rate Contract can be terminated at any time without any prior notice . The contract may be extended or curtailed at any point of time at the discretion of the Director, CIMFR, Dhanbad.

16. Disputes & its Jurisdiction:

This contract between the supplier and the buyer shall be governed by the Laws of India and under this contract shall be taken by the parties only in Dhanbad, India to competent jurisdiction.

17. Arbitration:

Except where otherwise provided in the Contract, all questions and disputes relating to the meaning of the specifications, instructions and terms & conditions herein before mentioned and as to the quality of the materials, as to any question, claim, right, matter or thing whatsoever, in any way arising out of or relating to the Contract. Specifications, estimates, instructions, orders or these conditions or otherwise concerning the works, or the execution of the same whether arising during the process of the work or after the completion or abandonment thereof shall be referred to the sole arbitration of a person nominated by the Director General, Council of Scientific & Industrial Research, New Delhi, and if he is unable or unwilling to act to the sole arbitration of some other person appointed by him willing to act as such arbitrator. The submission shall be deemed to be submission to Arbitration under the meaning of the India Arbitration & Conciliation, 1996 or any satisfactory modification or reenactment thereof for the time being in force conclusive and binding on all parties of the Contract. **The venue of the arbitration will be Dhanbad only.**

18. PARALLEL CONTRACT

The director, CIMFR (formerly CMRI) Dhanbad reserves the right to enter into parallel contract simultaneously or at any time during the period of this contract with one or more suppliers.

19. RIGHT OF ACCEPTANCE

The director reserves the right to accept the lowest or any other tender and reserves to himself the right of accepting the whole or any part of the tender without assigning any reason what so ever.

APPLICATION FORM FOR ANNUAL RATE CONTRACT WITH CIMFR, DHANBAD

(A Separate Application Form is Required for each Product Category)

1.	NAME & ADDRESS OF THE MFTR. (With Tel./Fax/Mobile/ email address)	
2.	NAME & ADDRESS OF THE LOCAL AUTHORISED DEALER/ DISTRIBUTERS (with Tel./ Fax/Mobile/ email address)	
3.	QUOTED PRODUCT CATEGORY	
4.	PERCENTAGE OF DICOUNT OFFERED	
5.	NAME OF THE CSIR LABS. OF SIMILAR ARC (MAX. THREE)	
6.	CST/VAT AGAINST FOC TO BE CHARGED (Form 'C & D' will not be issued by CIMFR) (must not be left blank)	
7.	DELIVERY CHARGES	
8.	DELIVERY PERIOD	
9.	DELIVERY OF MATERIALS	DOOR DELIVERY AT CIMFR STORES
10.	RTGS/NFTS No. Banker address, A/C No. & A/C holder's address	
11.	CST/JST NO. OF THE DEALER	
12.	PAN NO. OF THE DEALER	
13.	PERIOD OF CONTRACT	ONE YEAR FROM THE DATE OF AWARD OF CONTRACT

NOTES

- ❖ We hereby declare that all the particulars given in this application are true and complete to the best of our knowledge and we will produce all the relevant documents promptly, if necessary or as and when asked for by CIMFR. We understand that information provided by us will serve as Pre-qualification Criteria for enlistment on ARC and in the event of any information being found false or incorrect or ineligibility being detected even after the approval of Rate Contract our contract may be cancelled and all our claims may be forfeited by the CIMFR. We have read and understood all the terms and conditions of ARC and we fully agree to it.
- ❖ We also declare that we will not sell our products at a lesser price to other parties than those given to you and in the event of happening of such situation, we will be bound to refund the difference and our enlistment may be cancelled at the discretion of CIMFR.
- ❖ We also undertake that all the terms and such as Product Range, Price, Discount, Delivery/other charges, Terms of Payment and also the name/s of the Dealer/ Distributor will remain unchanged during the period and no alteration will be done without your official approval. However, we will promptly change our distributor / supplier if a request/complaint is received from your end with regard to this effect due to any reason.

Date:

Signature :

Place :

Name :

Designation :

Seal of the firm :

